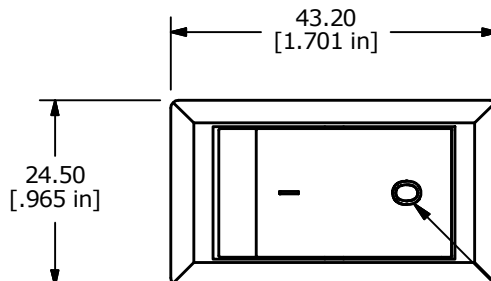
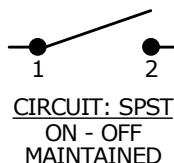
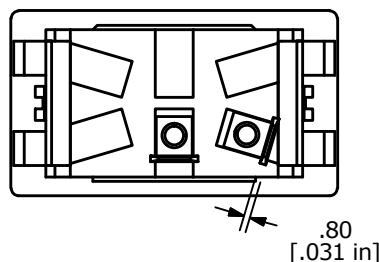
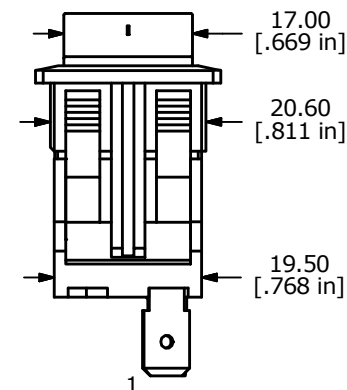
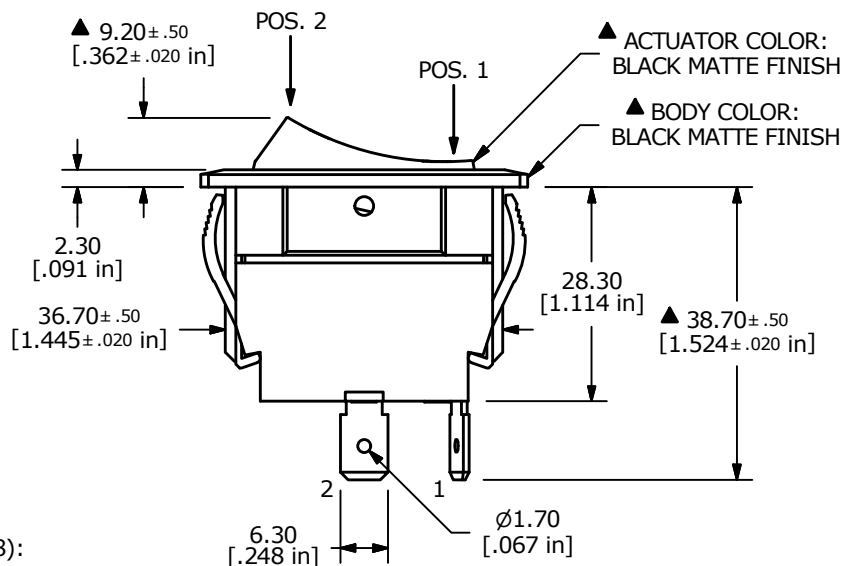


SUGGESTED PANEL CUTOUT  
MAX PANEL THICKNESS 6.0mm

SWITCH FUNCTION	
POS. 2	POS. 1
ON	OFF
2-1	OPEN



▲ GRAPHIC COLOR:  
WHITE



NOTES:

1. ALL DIMENSIONS IN MM [INCH]
2. GENERAL TOLERANCE: X.X±0.4  
X.XX±0.25
- ▲ 3. RATINGS: ANSI/UL 508 AND CAN/CSA C22.2 NO.14 (E195908):  
20A, 125VAC [cURus]  
15A, 277VAC [cURus]  
2HP, 110/250VAC [cURus]
4. CONTACT RESISTANCE: 50 mΩ MAX. @ 50VAC
5. INSULATION RESISTANCE: 800 MΩ MIN. @ 500VDC
6. OPERATING TEMPERATURE: 0°C TO +55°C [cURus, CSA]  
0°C TO +55°C [VDE]
7. ELECTRICAL LIFE: 6,000 CYCLES [cURus]
8. DIELECTRIC STRENGTH: 1,500V FOR 1 MINUTE
10. INGRESS PROTECTION: IP54
11. ▲ DENOTES CRITICAL PARAMETER
12. 2011/65/EU (RoHS) COMPLIANT.



B	22499	UPDATED NOTES	5/11/17	MJR
A	19528	INITIAL RELEASE	10/12/14	CAB
REV	PCR NO	DESCRIPTION	DATE	BY

TITLE RVW41D1121				
SCALE 1:1	DATE 10/12/2014	DR CAB	DWG 34-RVW41D1121	REV B

THE INFORMATION CONTAINED IN THIS DOCUMENT IS PROPRIETARY TO E-SWITCH AND IS NOT TO BE COPIED OR TRANSFERRED